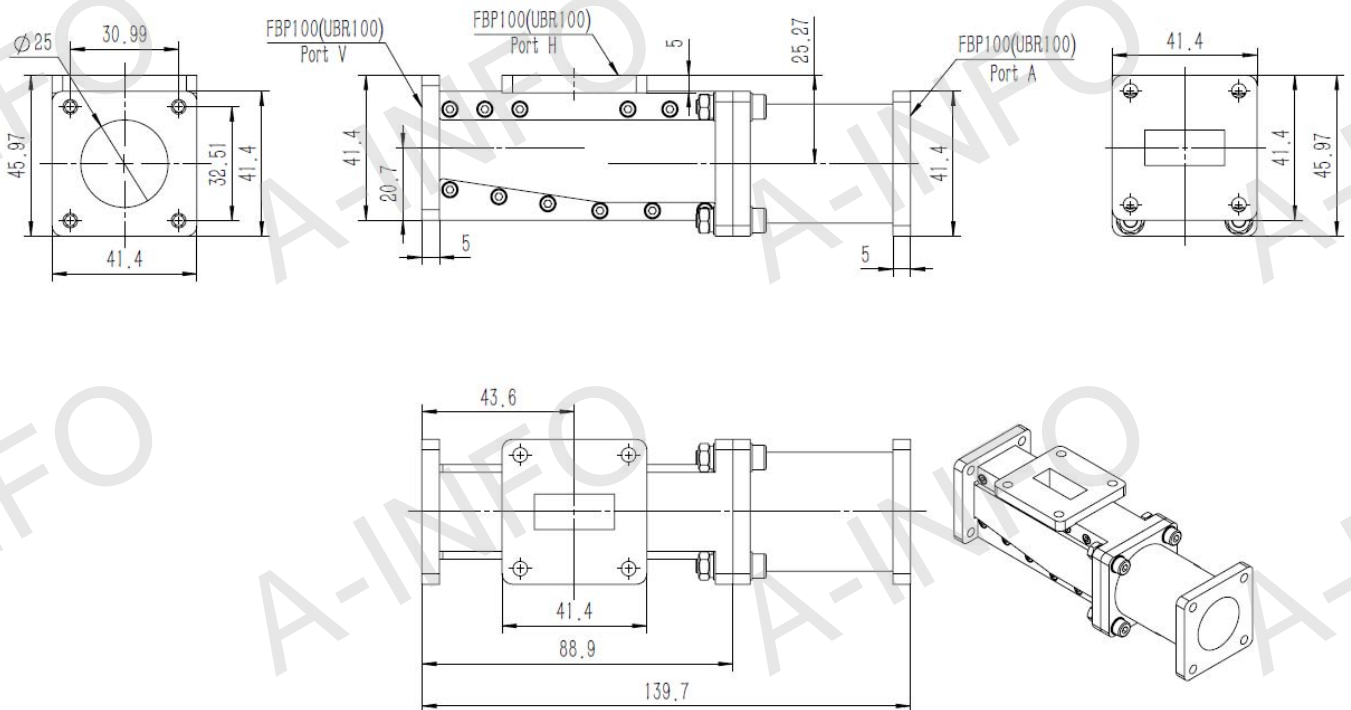


Technical Specification



EIA WR	WR90
Frequency Range(GHz)	8.2-10.8
Bandwidth	Full
Common Port	25mm Circular WG
Insertion Loss(dB)	0.2 Max.
VSWR	1.3:1 Typ.
Port to Port Isolation(dB)	45 Min.
Common Port Flange	FBP100(UBR100)
Flange	FBP100(UBR100)
Material	Al
Size(mm)	139.7 x 41.4 x 45.97
Net Weight (Kg)	0.3 Around

Outline Drawing (Size: mm)



AINFO Inc.

China(Beijing):
China(Chengdu):
USA :

Tel: (+86) 10-6266-7326,
Tel: (+86) 28-8519-2786,
Tel: (+1) 949-639-9688,

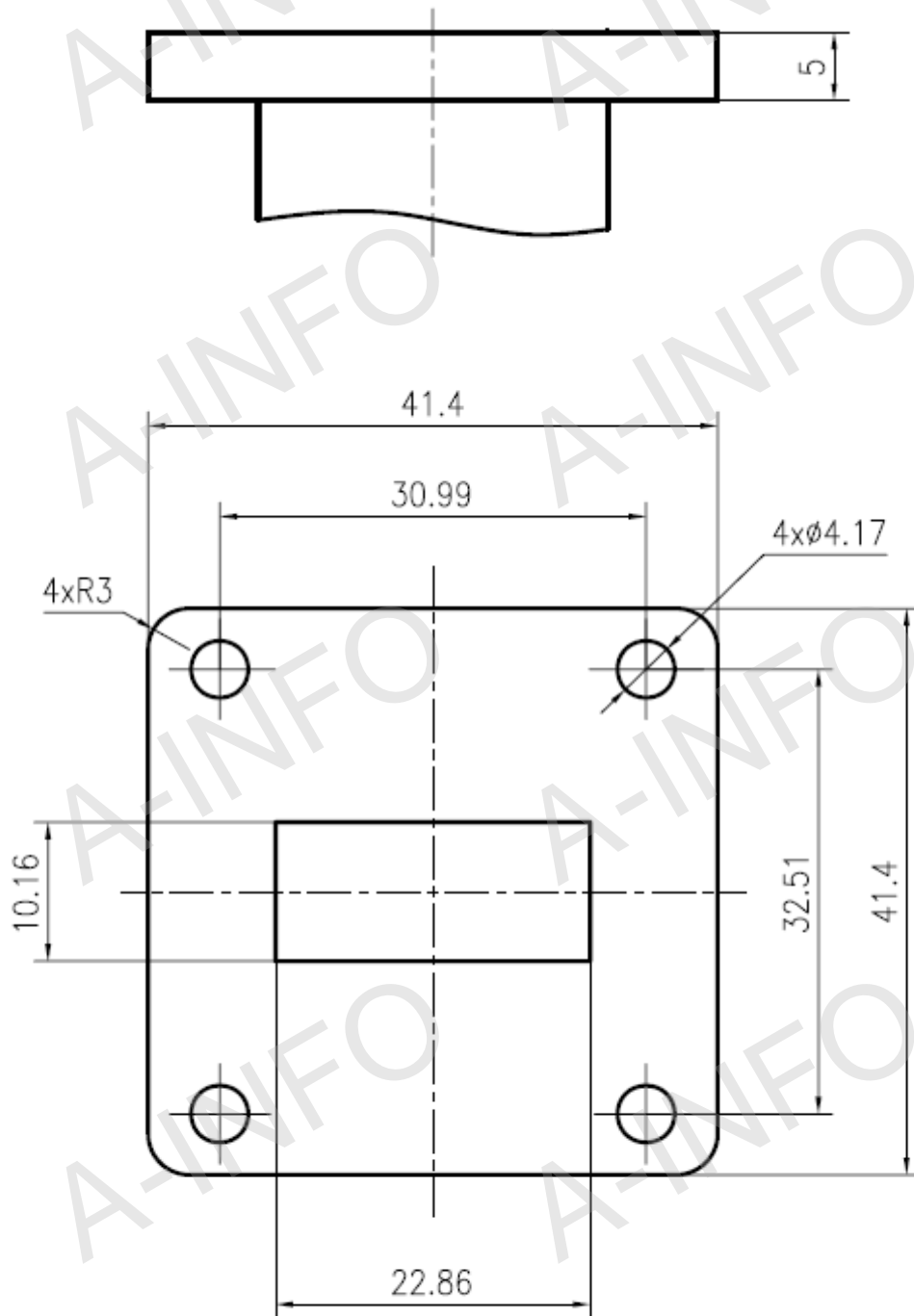
Page 1 of 5

(+86) 10-6266-7327
(+86) 28-8519-3044
(+1) 949-639-9608

Fax: (+86) 10-6266-7379
Fax: (+86) 28-8519-3068
Fax: (+1) 949-639-9670

Website: www.ainfoinc.com
Email: sales@ainfoinc.com

Flange Drawing (Size: mm)



FBP100

AINFO Inc.

China(Beijing):
China(Chengdu):
USA :

Tel: (+86) 10-6266-7326,
Tel: (+86) 28-8519-2786,
Tel: (+1) 949-639-9688,

Page 2 of 5

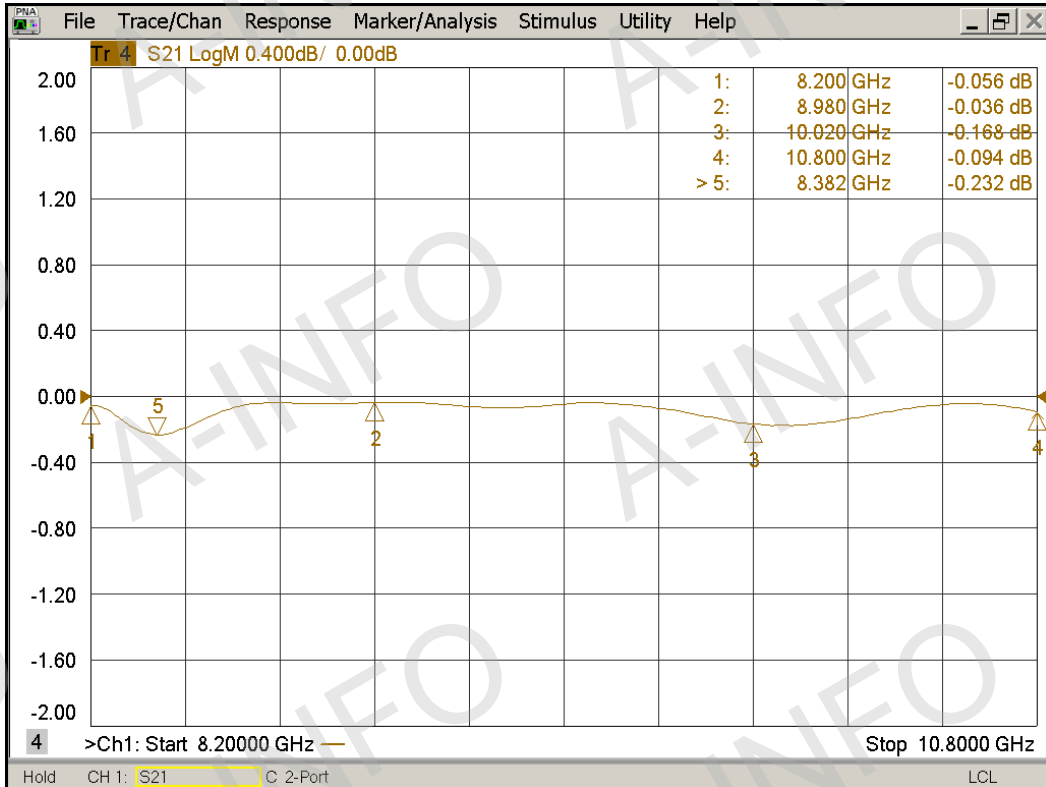
(+86) 10-6266-7327
(+86) 28-8519-3044
(+1) 949-639-9608

Fax: (+86) 10-6266-7379
Fax: (+86) 28-8519-3068
Fax: (+1) 949-639-9670

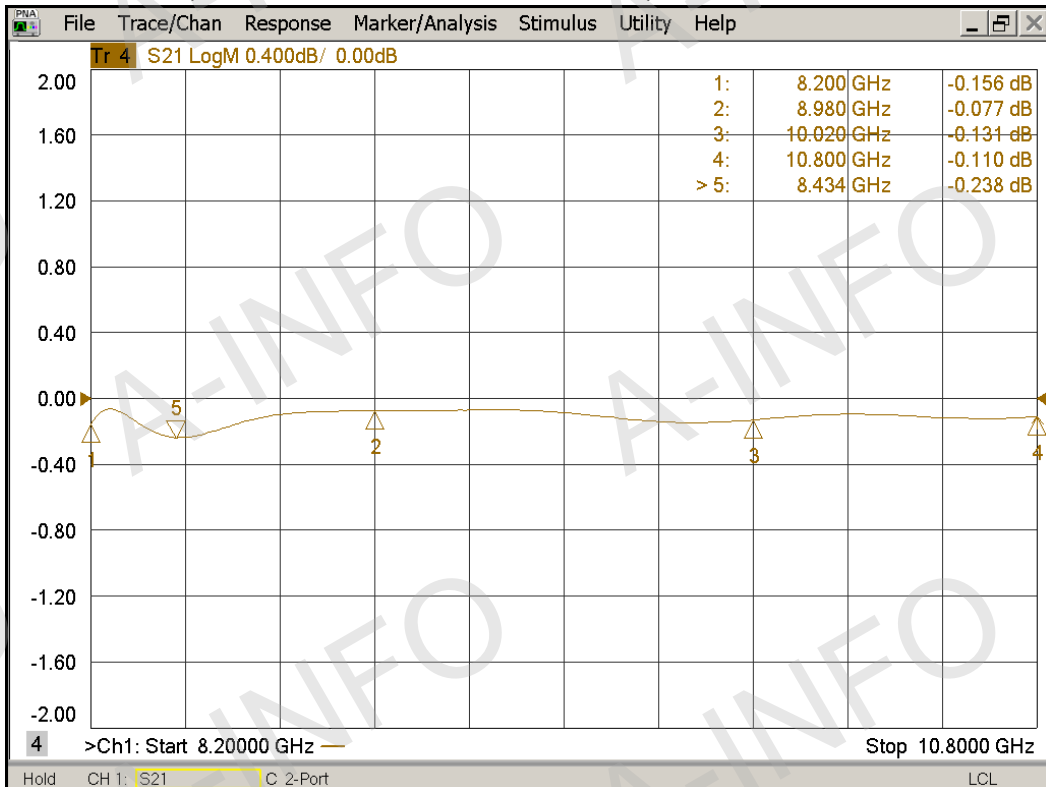
Website: www.ainfoinc.com
Email: sales@ainfoinc.com

Test Results

Port H_ Insertion Loss(Test with two OMT back to back)



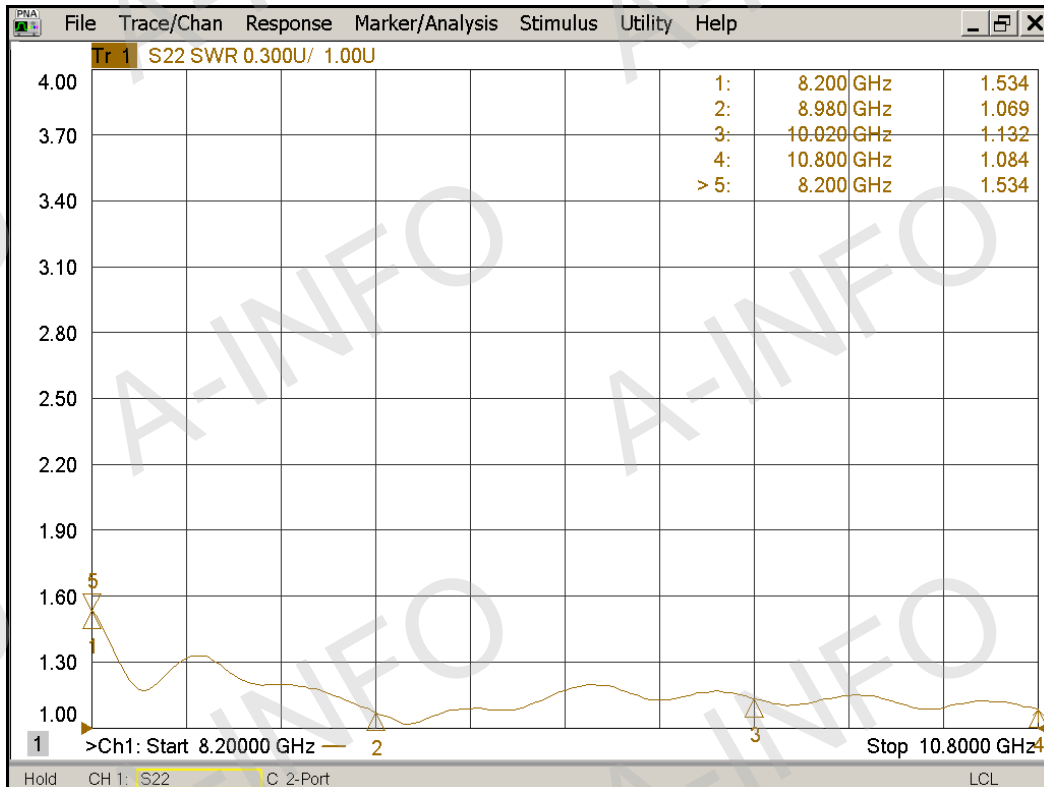
Port V_ Insertion Loss(Test with two OMT back to back)



Port H_VSWR



Port V_VSWR



Port to Port Isolation

